



***DOWNLOAD COLOUR  
INSTALL MANUALS AT  
[www.bddiesel.com](http://www.bddiesel.com)***

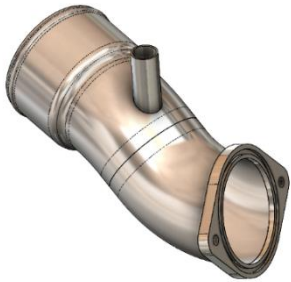




**BD Diesel GM Turbo Intake L5P**  
**Install Instructions**  
2017-2023 L5P Turbo intake

**1045630**

**L5P turbo intake**

## Kit Contents

1405630	1900015	FT-920158634
		
Intake Pipe L5P Dmax	Bolt M8-1.25 x 30mm Flange	O-ring 2-239 Viton
<b>Qty: 1</b>	<b>Qty: 2</b>	<b>Qty:1</b>

## Optional Parts

Description	Part #
Turbo Screamer GMC L5P 2017-2023	1045844

## Tools Required for Installation

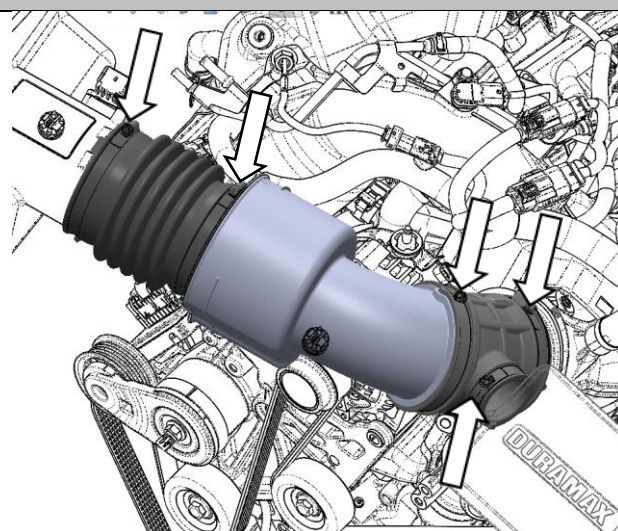
- 13mm swivel Socket
- 10mm swivel Socket
- Long 1/4 " extension and ratchet
- 8 – 13mm socket
- Screwdriver
- Torque Wrench
- Scraper

## Installation

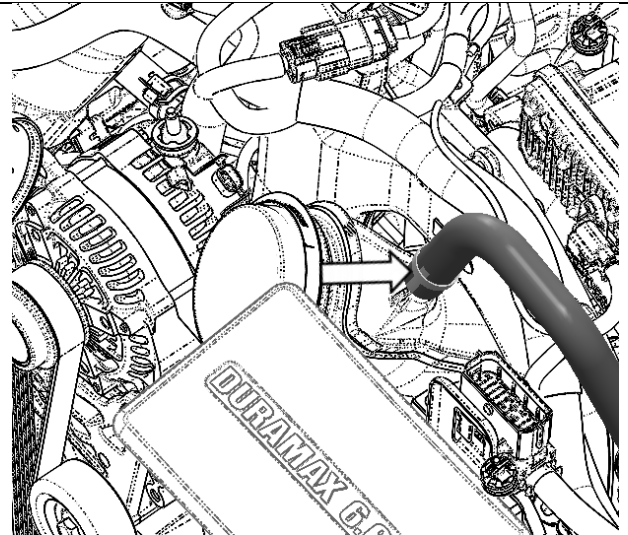
Disconnect both vehicle batteries for safety.

### Removal

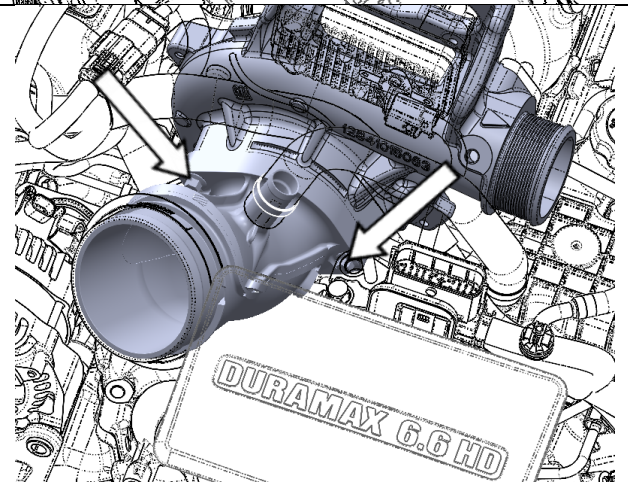
Using screwdriver, remove all the intake piping as shown.



Remove PCV hose retaining clip using a small pick or pry tool. Disconnect hose and remove OEM horn.



Remove the two bolts that secure the oem turbo intake to compressor housing of the turbo using 1/4" extension and 13mm swivel socket. Twist and pull out the turbo intake.

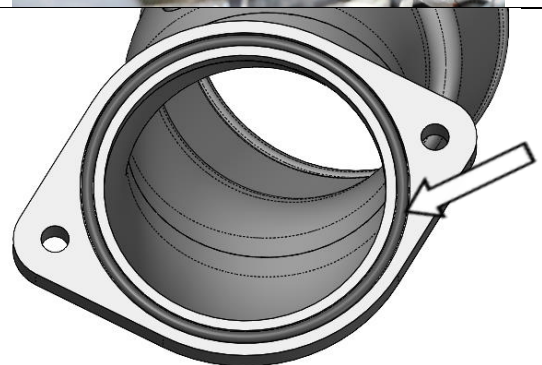


## ***Installation***

Clean compressor housing flange using cloth



Use very small amount of grease to lubricate the O-ring groove and place the O-ring (FT-920158634) into it as shown.  
Avoid petroleum or synthetic lubricant which may damage the O-ring



Place the turbo intake on to the turbo compressor-housing flange and secure it with supplied bolts as shown.

**Torque Spec: 18 ft-lbs**

Reinstall PVC hose

**NPTE:**  
Normally the PCV hose and clamp may be removed and reinstalled without damage. If your clamp is damaged during the removal process, you may replace it with a standard hose clamp.

Reconnect all intake piping as shown.

Reconnect both vehicle batteries, and ensure all clamps are tight. Installation is now complete.

